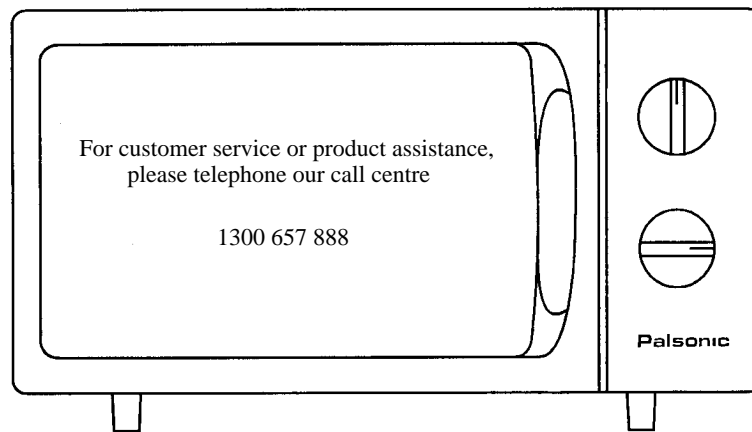


Palsonic

Microwave Oven

This owner's guide book is for the following 550 Watts microwave oven models:

PMO-555



1. READ these instructions carefully before installing and operating the oven. Keep them for further reference.
2. Record in the space below the MODEL NO. and the SERIAL NO. found on the nameplate on your oven and retain this information for future reference.

MODEL NO.

SERIAL NO.

Then complete the registration card which is attached to the warranty card, and return it.

YOU ARE REQUIRED TO PRESENT YOUR BILL OF SALE WHEN REQUESTING WARRANTY REPAIRS.

SPECIFICATIONS

Power Consumption:	240V, 50Hz 900W
output:	550w
Operating Frequency:	2,450MHz
Outside Dimensions:	245mm(H) x 443mm(W) x 305mm(D)
Oven Cavity Dimensions:	158mm(H) x 272mm(W) x 272mm(D)
Oven Capacity:	12 litres
Cooking Uniformity:	Turntable system (0.25.5mm)
Uncrated Weight:	Approx. 12.5kg

BEFORE YOU CALL FOR SERVICE

1. If the oven will not perform at all, the display does not appear or the display disappeared:
 - a) Check to ensure that the oven is plugged in securely. If it is not, remove the plug from the outlet, wait 10 seconds and plug it in again securely.
 - b) Check the premises for a blown circuit fuse or a tripped main circuit breaker. If these seem to be operating properly, test the outlet with another appliance.
2. If the microwave power will not function:
 - a) Check to see whether the timer is set.
 - b) Check to make sure that the door is securely closed to engage the safety interlocks. Otherwise, the microwave energy will not flow into the oven.

IF NONE OF THE ABOVE RECTIFY THE SITUATION, THEN CONTACT THE NEAREST AUTHORIZED SERVICE AGENT WITH QUALIFIED THCHNICIAN. DO NOT TRY TO ADJUST OR REPAIR THE OVEN YOURSELF.

RADIO INTERFERENCE

Microwave ovens may cause interference to your radio, TV, or similar equipment. When interference occurs, it may be eliminated or reduced by the following procedures.

- a. Clean the door, and sealing surface of the oven.
- b. Place the radio, TV, etc. as far away from your microwave oven as possible.
- c. Use a properly installed antenna for your radio,TV, etc to get a strong signal reception.

INSTALLATION

1. Make sure all the packing materials are removed from the inside of the door.
2. Inspect the oven after unpacking for any visual damage such as:
 - Misaligned Door
 - Damaged Door
 - Damaged Door Seal
 - Dents or Holes in Door Window and Screen
 - Dents in CavityIf any of the above are visible, DO NOT use the oven
3. This Microwave Oven weighs 12.5 kg and must be placed on a horizontal surface strong enough to support this weight.
4. The oven must be placed away from high temperature and steam.
5. DO NOT place anything on top of the oven.
6. Keep the oven at least 8 cm away from both sidewalls and 10 cm away from rear wall to ensure the correct ventilation.
7. DO NOT remove the turn - table drive shaft.
8. As with any appliance, close supervision is necessary when used by children.

WARNING - THIS APPLIANCE MUST BE EARTHED.

1. The power cord is 1.4 m long, the plug socket should be within easy reach of this cord.
 2. This oven requires 0.9 KVA for its input. Consultation with service engineer is suggested when installing the oven.
- CAUTION: This oven is protected internally by a 250V, 6 Amp Fuse.

IMPORTANT

The wires in this mains lead are coloured in accordance with the following code:

Green - and - yellow	: Earth
Blue	: Neutral
Brown	: Live

As the colours of the wires in the mains leads of the appliance may not correspond with the coloured markings identifying the terminals in your plug, proceed as follows:

The wire which is coloured green - and - yellow must be connected to the terminal in the plug which is marked with the letter E or by the earth symbol-coloured green - and - yellow

The wire which is coloured blue must be connected to the terminal which is marked with the letter N or coloured black.

The wire which is coloured brown must be connected to the terminal which is marked with the letter L or coloured red.

IMPORTANT INSTRUCTIONS

WARNING -To reduce the risk of burns, electric shock, fire, injury to persons or excessive microwave energy:

1. Read all instructions before using microwave oven
2. Some products such as whole eggs and sealed containers-(for example, closed glass jars and sealed baby bottles with teat) may explode and should not be heated in microwave oven. Refer to cookbook for more details.
3. Use this microwave oven only for its intended use as described in this manual.
4. As with any appliance, close supervision is necessary when used by children.
5. Do not operate this microwave oven, if it is not working properly, or if it has been damaged or dropped.
6. To reduce the risk of fire in the oven cavity:
 - (a) Do not overcook food. Carefully attend microwave oven if paper, plastic, or other combustible materials are placed inside the oven to facilitate cooking.
 - (b) Remove wire twist-ties from bags before placing bag in oven.
 - (c) If materials inside the oven should ignite, keep oven door closed, turn oven off at the wall switch, or shut off power at the fuse of circuit breaker panel.

SAFETY INSTRUCTIONS FOR GENERAL USE

Listed below are, as with all appliances, certain rules to follow and safeguards to assure top performance from this oven:

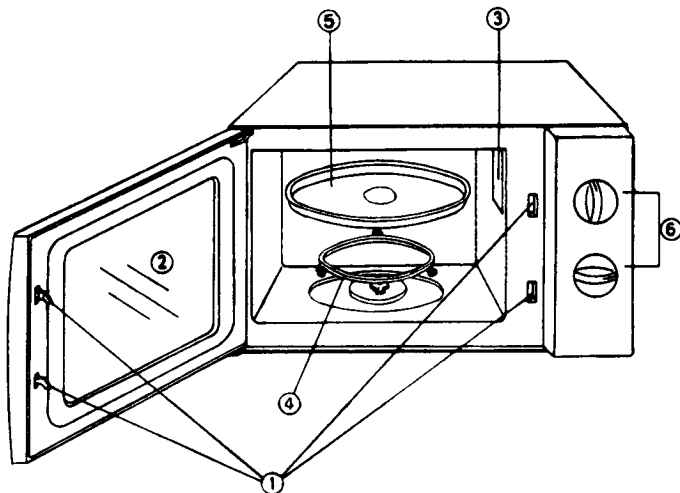
1. Always have the glass tray, roller arms, coupling and roller track in place when operating the oven.
2. Do not use the oven for any reason other than food preparation, such as for drying clothes, paper, or any other nonfood items or for sterilizing purposes.
3. Do not operate the oven when empty. This could damage the oven.
4. Do not use the oven cavity for any type of storage, such as papers, cookbooks, etc.
5. Do not use the oven for home canning. Microwave ovens are not designed to permit proper canning. Improperly canned food may spoil and be dangerous to consume.
6. Do not cook eggs in the shell, as they will burst. Puncture egg yolks, egg white before cooking to prevent "explosion" Occasionally a poached egg may burst during cooking. Be sure to cook covered and let stand one minute after cooking before removing the cover.
7. Do not cook any food surrounded by a membrane, such as egg yolks, potatoes, chicken livers, etc: without first piercing several times with a fork.
8. Do not insert any object into the openings on the outer case.
9. Do not at any time remove parts from the oven such as the feet, coupling, screws, etc.
10. Do not cook foods directly on the glass tray. Place food in/on proper cooking utensil before placing in the oven.
11. **IMPORTANT - COOKWARE NOT TO USE IN YOUR MICROWAVE OVEN**
 - Do not use metal pans or dishes with metal handles.
 - Do not use anything with metal trim.
 - Do not use paper covered wire twist - ties on plastic bags.
 - Do not use melamine dishes as they contain a material which will absorb microwave energy. This may cause the dishes to crack or char and will slow down the cooking speed.
 - Do not use burnable container such as paper, wooden, bamboo, willow container and so on.

- Do not use Centura Tableware. The glaze is not suitable for microwave use. Corelle Livingware closed handle cups should not be used.
 - Do not cook in a container with a restricted opening, such as a soft drink bottle or salad oil bottle, as they may explode if heated in a microwave oven.
 - Do not use conventional meat or candy thermometers. There are the thermometers available specifically for microwave cooking. These may be used.
12. Microwave utensils should be used only in accordance with manufacturer's instructions.
 13. Do not attempt to deep - fry foods in this oven.
 14. Please remember that a microwave oven only heats the liquid in a container rather than the container itself. Therefore, even though the lid of a container is not hot to the touch when removed from the oven, please remember that the food/liquid inside will be releasing the same amount of steam and/or spitting when the lid is removed as in conventional cooking.
 15. Always test the temperature of cooked food

yourself especially if you are heating or cooking food/liquid for babies. It is advisable never to consume food/liquid straight from the oven but allow it to stand for a few minutes and stir food/liquid to distribute heat evenly.

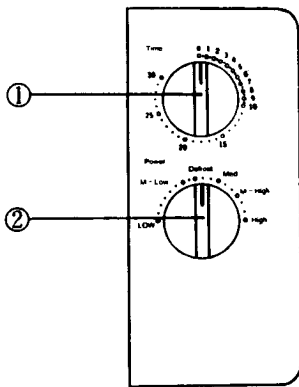
16. Food containing a mixture of fat and water, e. g. stork, should stand for 30 - 60 seconds in the oven after it has been turned off. This is to allow the mixture to settle and to prevent bubbling when a spoon is placed in the food/liquid or a stock cube is added.
17. Always following the cooking instructions detailed in your cookbook when preparing /cooking food /liquid and remember that there are certain foods, e. g. Christmas puddings, jam and mincemeat, which heat up very quickly. When heating or cooking foods with a high fat or sugar content do not use plastic containers.
18. Cooking utensils may become hot because of heat transferred from the heated food. This is especially true if plastic wrap has been covering the top and handles of the utensil. Potholders may be needed to handle the utensil.

FEATURE DIAGRAM



- (1) Door Safety Lock System
- (2) Oven Window
- (3) Oven Air Vent
- (4) Roller Ring
- (5) Glass Tray
- (6) Control Panel

CONTROL PANEL



(1) Timer- 0 - 30 Minutes

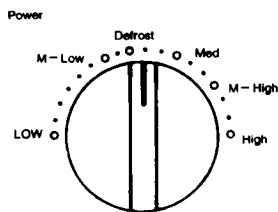
(2) Power Select Control

HIGH:	100% Power Output
M. High:	85% Power Output
Med:	66% Power Output
M. Low:	40% Power Output
Low:	17% Power Output
Defrost:	48% Power Output

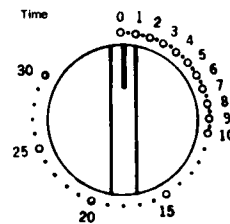
OPERATION

To set a cooking program:

Place food in oven.



* Turn Power Select Control to correct required power level.



* Select correct cooking time using Timer.

N. B: As soon as Timer is turned, oven will start cooking food.

When selecting time for less than 2 minutes, turn timer past 2 minutes and then return to correct timing.

ALWAYS RETURN TIMER BACK TO ZERO position if food is removed from oven before set cooking time is complete and when oven is not in use.

TO STOP OVEN when a cooking program is set, push Door Release Button and open door - microwaves automatically stop entering oven cavity because of safety door lock system. If remaining cooking time is not required, turn TIMER back to ZERO position before closing door.

CARE OF YOUR MICROWAVE OVEN

1. Turn the oven off and remove the power plug from the wall socket before cleaning.
2. Keep the inside of the oven clean. When food splatters or spilled liquids adhere to oven walls, wipe with a damp cloth. Mild detergent may be used if the oven gets very dirty. The use of harsh detergent or abrasives is not recommended.
3. The outside oven surfaces should be cleaned with a damp cloth. To prevent damage to the operating parts inside the oven, water should not be allowed to seep into the ventilation openings.
4. Wipe the door and window on both sides and the door seal frequently with a damp cloth to remove any spills and splatters.
5. Do not allow the Control Panel to become wet. Clean with a soft, damp cloth. Do not use detergents, abrasives or spray-on cleaners on the Control Panel.
When cleaning the Control Panel, leave oven door open to prevent oven from accidentally turning on.
6. If steam accumulates inside or around the outside of the oven door, wipe with a soft cloth. This may occur when the microwave oven is operated under high humidity conditions and in no way indicates malfunction of the unit.
7. It is occasionally necessary to remove the glass tray for cleaning. Wash the tray in warm sudsy water or in a dishwasher.
8. The roller ring and oven cavity floor should be cleaned regularly to avoid excessive noise. Simply wipe the bottom surface of the oven with mild detergent, water or window cleaner and dry. The roller ring may be washed in mild sudsy water or dish washer. Cooking vapours collect during repeated use but in no way affect the bottom surface or roller ring wheels.
When removing the roller ring from cavity floor for cleaning, be sure to replace in the proper position.
9. Remove odors from your oven by combining a cup of water with the juice and skin of one lemon in a deep microwavable bowl. Microwave for 5 minutes. Wipe thoroughly and dry with a soft cloth.
10. When it becomes necessary to replace the oven light, please consult a dealer to have it replaced.

PALSONIC Corporation Pty Ltd
1 Joynton Avenue
Waterloo NSW 2017
Australia

Tel: 02-9313 7111
Fax: 02-9313 7555
www.palsonic.com.au